

Masport®

EXPORT ROTARY MOWERS

SERIES 21

Part Number

479992

Model

800AL MSV WC CO SPV

Engine

B&S Series 675

Month and Year of First Manufacture: March 2009

From Serial Number: 7196734

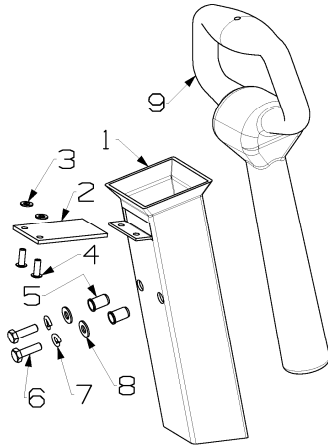


Issue C.0
ECN 03980
Oct 2020 PB
REF # 779992S



Note - Replace like for like-
Used on Serial Numbers:
7196734 ~ 7427460

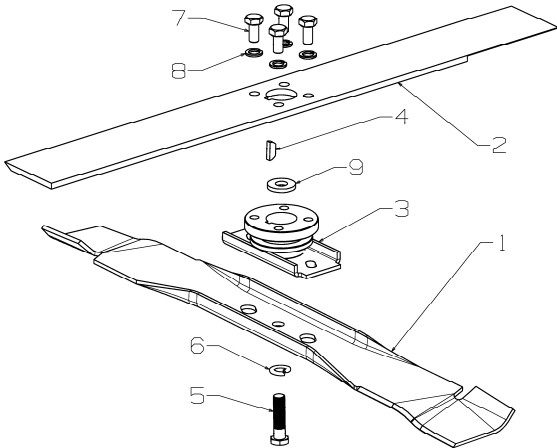
21" Chipper Tube Assembly



Item	Part No	Description	Qty
1	773573	Tube- Feed Intake, 250mm TTNM	1
2	581672	*Flap- Insertion, Rubber 3mm	1
3	501330	*Washer, Flat 5 x 10 x 1.0	2
4	503423	*Rivet- Pop 4.8 x 6.4 73SS6-4	2
5	501040	*Nut, M6 Nutsert 9658-0619	2
6	501601	Screw, Set M6 x 20 8.8	2
7	500201	Washer, Spg 6	2
8	501703	Washer, Flat M6 x 14 x 1.2	2
9	582374	Plunger- Intake Tube, Plastic	1

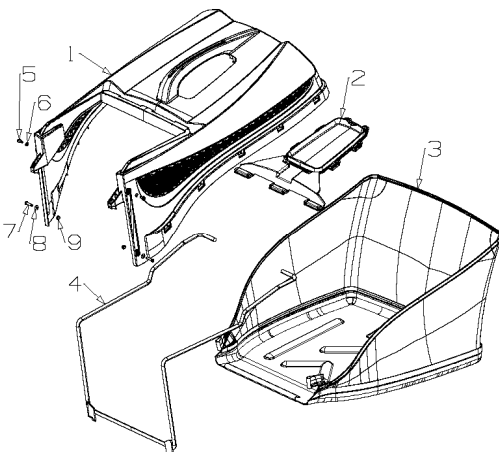
Note - This Chipper Tube uses 573081 Driver Assy (Height = 31mm)

540mm Bar Blade Assembly



Item	Part No	Description	Qty
1	573391	Blade- Bar, 540 mm HP	1
2	573552	Blade- Bar Chipper 21"	1
3	573081	Driver Assy- Chip, 25mm x M8 (2010) (Refer to above Note)	1
3	573873	Driver Assy- Chip, 25mm x M8 (2012) (Refer to Note on page 7)	1
4	503363	Key- W/ruff 5/8 x 3/16 x 1/4	1
5	503543	Bolt; Hex NF 3/8 x 1.5 NYG 8	1
6	500204	Washer, Spring 3/8"	1
7	501571	Screw, Set M8 x 16 H/T Hex Blk	4
8	503747	Washer, Spg 8	4
9	573585	Spacer- Blade Driver 22 x 4	1

773401 AERO Catcher Assembly- 21"



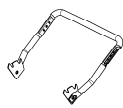
Item	Part No	Description	Qty
1	573373	Catcher, Top 19/21"	1
2	573370	Catcher, Top Insert	1
3	573375	Catcher, Bottom 19/21"	1
4	573841	Catcher, Frame 19" SP	1
5	503834	Screw, S/T M4x10 Hex	2
6	501024	Washer- Spg 4	2
7	501023	Screw, Set M4 x 20 Hex	2
8	503593	Washer, Flat 4 x 9 x 1.0	2
9	503875	Nut, M4 Hex Nyloc	2

When ordering spares: PLEASE QUOTE PART NUMBER & Description, NOT illustrated number. Item Qty = 1 per part unless stated differently.
BOLD TEXT = Assemblies. Part No's starting with * = items included in the assemblies & may not be available as a spares item.
Determine the left hand or right hand sides by standing in the operating position (standing at the handle).



Note.
Item 20 (Handle Lift),
Fig 1 is now obsolete.

Fig 1



1/ Replace it with:

Fig 2 Ergo Handle
Order # 982418

Fig 2



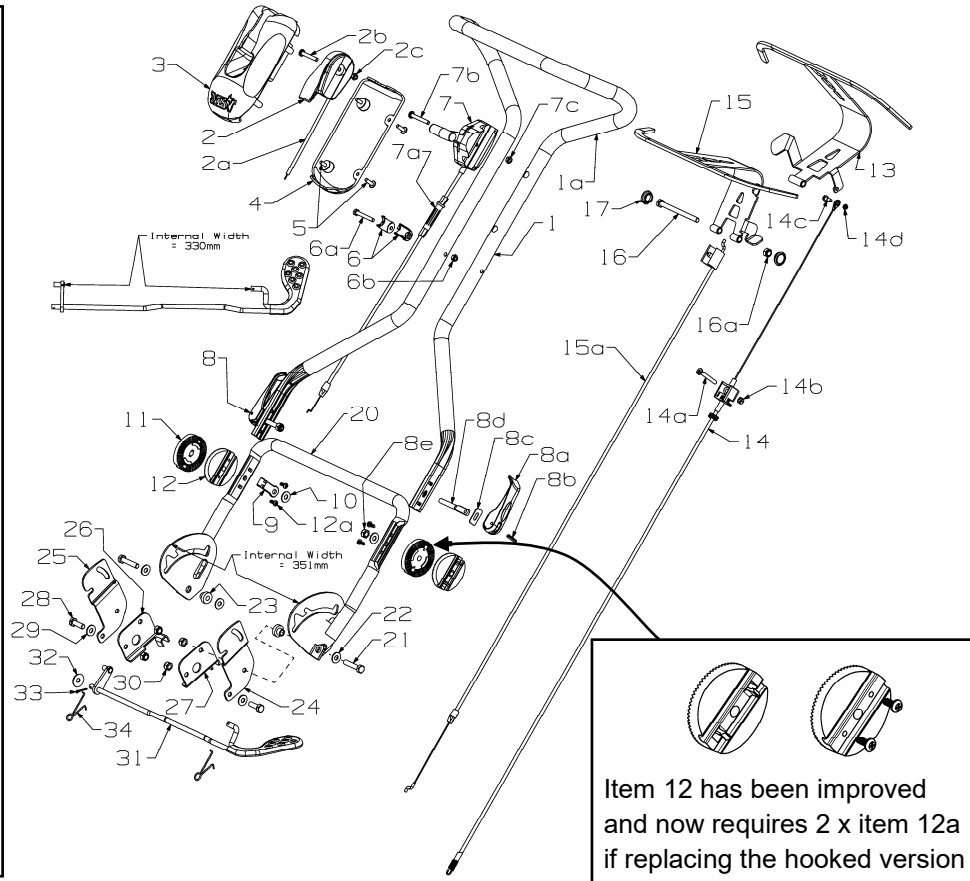
2/ Replace it with the "NEW" design as shown in the main exploded view.

You will require a range of new parts to be used with existing fastenings.

Follow the exploded view for assembly

Order these parts as below:

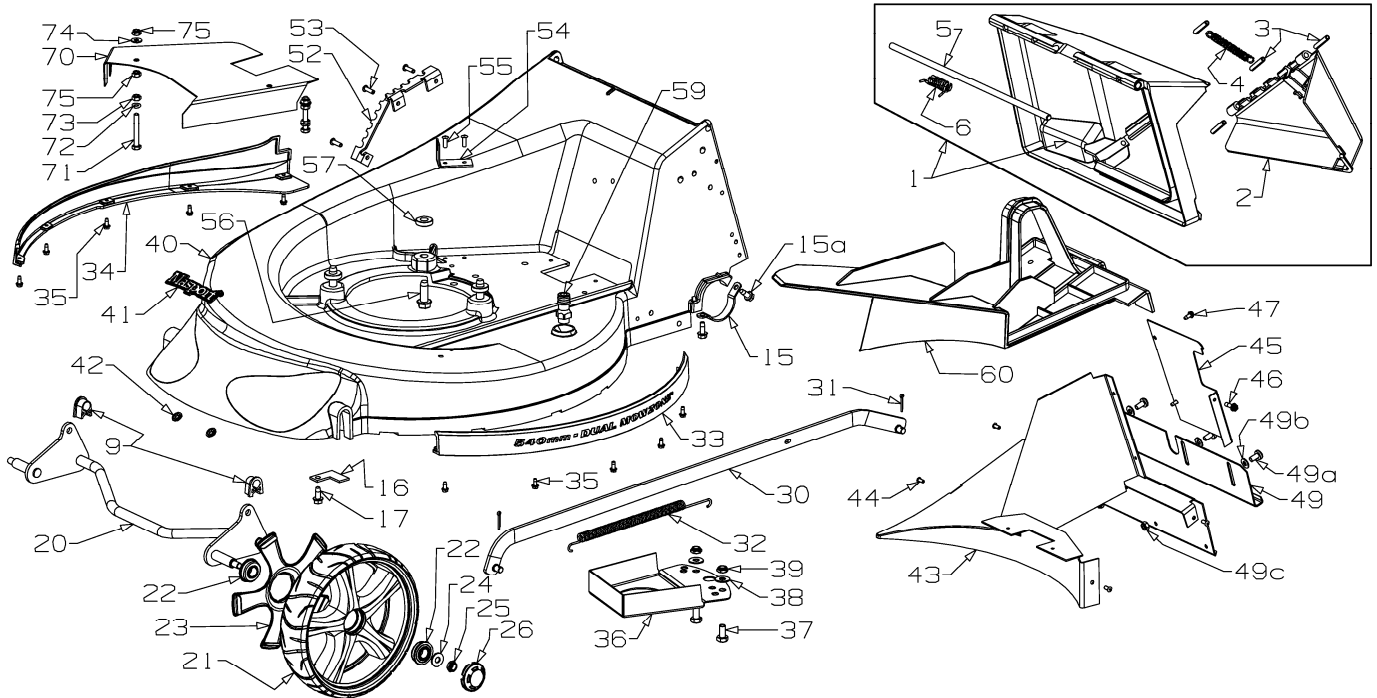
967501	Handle Lower- Lift Adj	1
567369	Plate- Mount, Handle LH	1
567368	Plate- Mount, Handle RH	1
967383	Rod Assy Adj- Lower Lift	1
501843	Screw, Set M8 x 40	2
501606	Washer, Flat 8 x 19 x 1.6	1
567382	Spacer- Handle, Lower Lift	2
502149	Washer- Dished	1
501056	Pin- Cotter, 2.3 x 16	1
567381	Spring- Ergo Lift	2



Item 12 has been improved and now requires 2 x item 12a if replacing the hooked version

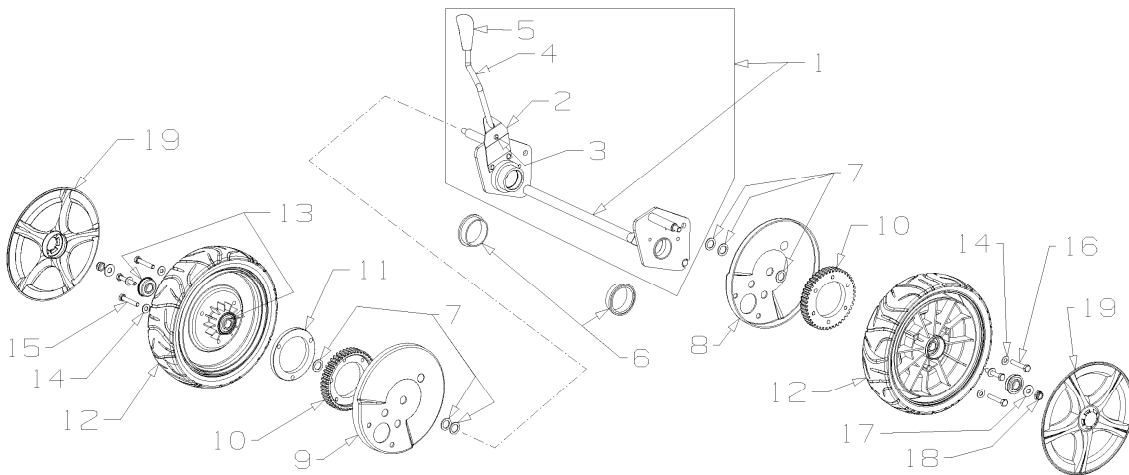
Item	Part No	Description	Qty	Item	Part No	Description	Qty
1/1a	779071	Handle & Sleeve MSV OPC/SFT	1	13	979279	Bail Arm Assy, SP MSV RED	1
2/2a	583458	Throttle Ctrl & Cable, Wescon	1	14	565436	Cable- Clutch, Thumb Wheel G/B	1
2b	503604	*Screw, Pan M6 x 45	1	Note, replacing item 14, now requires also 1 x 14c & 14d			
2c	501764	*Nut, M6 Hex Nyloc x 6mm thick	1	14a	503604	Screw, Pan M6 x 45	1
3	583351	Mount- Throttle, Top Black MSV	1	14b	501764	Nut, M6 Hex Nyloc x 6mm thick	1
4	583340	Cover- Throttle, Bottom Black	1	14c	502237	Bolt, Hex Flat Head Shouldered M5	1
5	503650	Screw; S/T #12 x 11/16"	4	14d	502238	Nut, M5 Hex Nyloc x 5mm thick	1
6	782546	Comfort Start Kit	1	15	979278	Bail Arm Assy, OPC MSV RED	1
6a	503558	*Screw, Pan M6 x 45	1	15a	579782	Cable- Engine OPC, Push On	1
6b	501764	*Nut, M6 Hex Nyloc x 6mm thick	1	16	503883	Bolt, Hex M8 x 100	1
7/7a	773388	Control Assy- Speed x 8 SPV MSV	1	16a	501793	Nut M8 Hex Nyloc x 8mm thick	1
7	573388	*Control- Speed x 8 SPV	1	17	503882	Grommet Blanking 3/4"(19mm)	2
7a	573555	*Cable- Control x 8 SPV	1	Replacing item 20 - refer to options as above.			
7b	503684	*Screw, Set M6 x 60	1	20	967501	Handle Assy- Lower, Lift Black	1
7c	501764	*Nut, M6 Hex Nyloc x 6mm thick	1	21	501843	Screw, Set M8 x 40	2
8	769674	Cam Lock Assy- (Long Stud)	1	22	501606	Washer, Flat 8 x 19 x 1.6	3
8a	582419	*Lever Handle Locking	2	23	567382	Spacer- Handle, Lower Lift	2
8b	503369	*Pin, Tension 5.0 x 22	2	24	567369	Plate- Mount, Handle LH	1
8c	016777	*Washer- Slipper S/S	2	25	567368	Plate- Mount, Handle RH	1
8d	569674	*Stud Handle Lock 72mm	1	26	573438	Bracket- RH 19/21" Ali Aero	1
8e	501793	*Nut M8 Hex Nyloc x 8mm thick	2	27	573437	Bracket- LH 19/21" Ali Aero	1
9	581527	Retainer- Clutch Cable, Handle	1	28	501598	Screw, Set M8 x 25	2
10	501606	Washer, Flat 8 x 19 x 1.6	2	29	501606	Washer, Flat 8 x 19 x 1.6	2
(Note, replacing items 11 & 12, you may also require item 8 x 2)				30	501793	Nut, M8 Hex Nyloc x 8mm thick	4
11	569673	Disc- Locking, Outer Thick	2	31	967383	Rod Assy Adj-Lower Lift	1
12	569770	Disc- Locking, Inner Thick	2	32	502149	Washer- Dished	1
(Note, if backfitting item 12, refer to the note above)				33	501056	Pin, Cotter 2.3dia x 16	1
12a	503099	Screw, S/Tapping M5 x 14 POZ	4	34	567381	Spring-Ergo Lift	2

When ordering spares: PLEASE QUOTE PART NUMBER & Description, NOT illustrated number. Item Qty = 1 per part unless stated differently.
BOLD TEXT = Assemblies. Part No's starting with * = items included in the assemblies & may not be available as a spares item.
 Determine the left hand or right hand sides by standing in the operating position (standing at the handle).



Item	Part No	Description	Qty	Item	Part No	Description	Qty
1	767647	Flap Assy- Smart Chute, R/Black	1	40	773567	HSG- AliT21" SPV/CH CO TTNM	1
2	571095	*Flap- Door, Side Red	1	41	567406	*Nameplate- MASPORT	1
3	581676	*Pin, Tension 6.0 x 35	4	42	503150	*Clip- Starlock, 5dia	2
4	581648	*Spring- Flap, Side Discharge	1	43	969350	*Tunnel Assy, 21" SP CH	1
5	583312	*Wire- Flap Pivot 325 x 8 ZP	1	44	503201	*Rivet- Pop 4 x 7.9 73SS5-5	4
6	583343	*Spring- Flap, 19"/21" ALI	1	45	573564	Tunnel- G/Box Cover 21" Aero Blk	1
9	580030	Bush- Pivot, Front Axle	2	46	503489	Screw, Set M5 x 16 Tap/C HWF	1
15	580586	Retainer- Axle, Rear	2	47	503630	Screw, S/T 10x.4 TYP B HWH	2
15a	501599	Screw, S/T 1/4 x 5/8 Hex	4	49	571048	Hook- 19/21", AERO Catcher	1
16	565184	Plate- Retainer, Axle 21"	2	49a	503591	Screw, Pan M6 x 12 POZ	3
17	501599	Screw, S/T 1/4 x 5/8 Hex	2	49b	501703	Washer, Flat 6 x 14 x 1.2	3
20	983305	Axle Assy, Front 200mm	1	49c	501764	Nut, M6 Hex Nyloc x 6mm thick	3
21	573706	Wheel Assy, 200mm Mag Silver (Includes 2 x 551212 per wheel)	2	52	567207	Quadrant- Height, Stl 21" ZP	1
22	551212	Bearing -Wheel, Ball Type	4	53	503200	Rivet- Pop 4.8 x 13 73AS6-8	3
23	579205	Cover- Inner, Wheel Silver	2	54	573387	Bracket- Cable, SPV 21" ALI	1
24	501606	Washer, Flat 8 x 19 x 1.6	2	55	503660	Rivet- Pop 4.8 x 9.0 73AS6-6	2
25	503831	Nut, M8 Nyloc x 6mm thick	2	56	583104	Screw, S/T 3/8 x 1-5/8" UNC	3
26	579204	Hub Cap- Button, Mag Silver	2	57	583542	Spacer- Base 10.5 x 22 x 6	3
30	573814	Rod Assy, Connecting 540	1	59	503783	Cyclowash- Fitting	1
31	501056	Pin, Cotter 2.3dia x 16	2	60	573059	Insert, Mulching 21" Ali	1
32	573844	Spring, Counter Balance SP Ser2	1	70	973572	Cover- Belt, 540 Chip TTNM	1
33	579742	Skirt- Side, LH 540	1	71	503558	Screw, Set M6 x 45	2
34	579741	Skirt- Side, RH 540	1	72	500201	Washer, Spring 6	2
35	503834	Screw, S/T M4 x 10 Washer Head	10	73	501682	Nut, M6 Hex	2
36	567412	Cover- Belt, SPV 21" SYNCRO	1	74	501703	Washer, Flat 6 x 14 x 1.2	2
If backfitting item 36, some 2 x 8mm drilling is involved				75	501764	Nut, M6 Nyloc x 6mm thick	4
37	501571	Screw, Set M8 x 16 8.8 Hex	2				
38	501606	Washer, Flat 8 x 19 x 1.6	2				
39	503831	Nut, M8 Nyloc x 6mm thick	2				

When ordering spares: PLEASE QUOTE PART NUMBER & Description, NOT illustrated number. Item Qty = 1 per part unless stated differently. **BOLD TEXT** = Assemblies. Part No's starting with * = items included in the assemblies & may not be available as a spares item. Determine the left hand or right hand sides by standing in the operating position (standing at the handle).



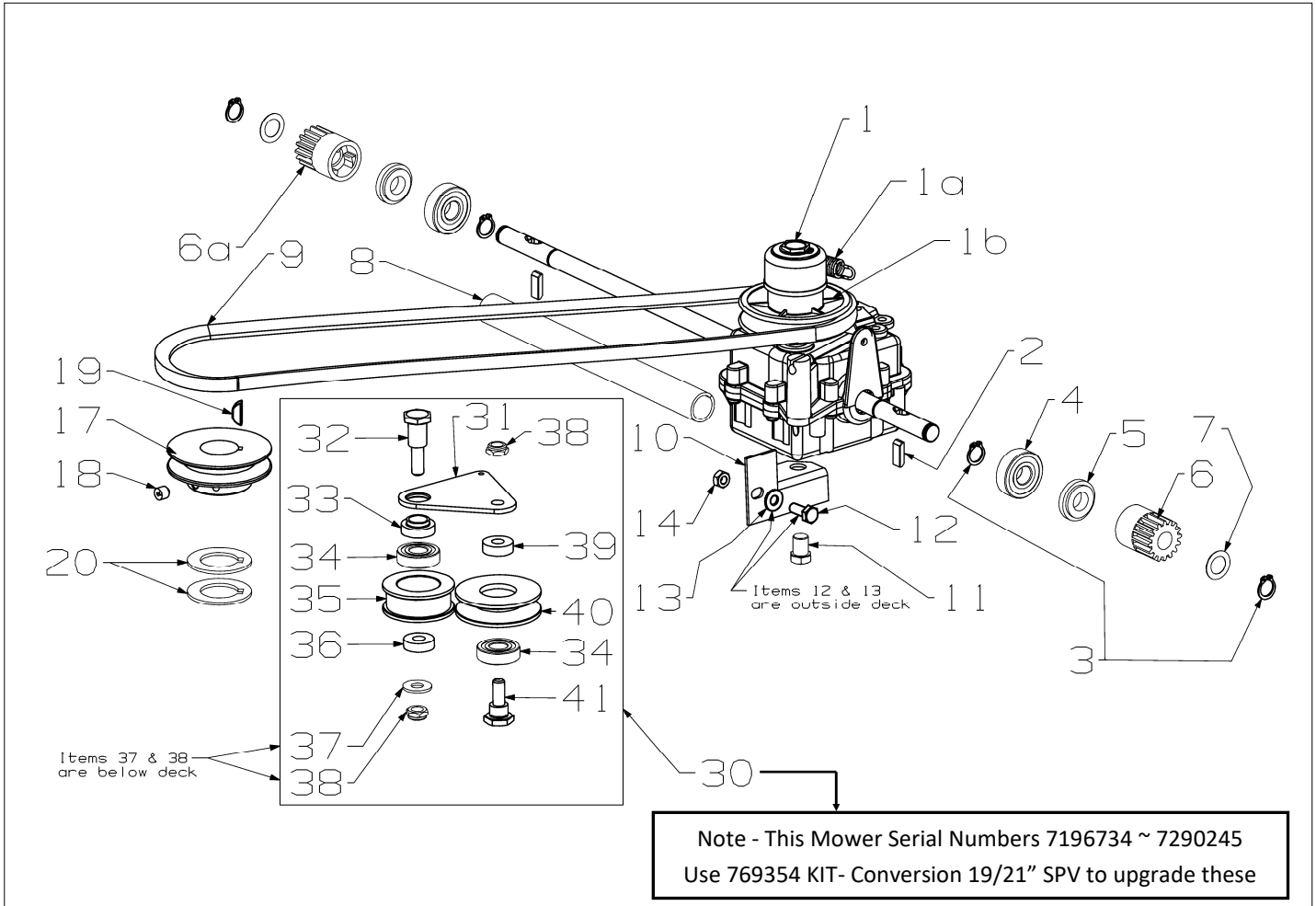
Spares Note, Introduced from Serial Number 7416429, item (This page) 10 & 11 (Next page) 6 & 6a have been redesigned and are shown in both exploded views. There is a KIT available #767300 which has these parts including (Next page) item 2 x 2 pawls. The redesigned parts are not individually interchangeable but must stay as a complete set.

Item	Part No	Description	Qty	Item	Part No	Description	Qty
1	773868	Axle Assy-Rear, 21" SP	1	12	579070	Wheel Assy -220mm SP	2
2	573849	*Spring-Leaf, 2mm	1			(Includes 2 x 551212 per wheel)	
3	503373	*Rivet-Flat Head, 3/16 x 27/64	3	13	551212	Bearing-Wheel, Ball Type	4
4	973681	*Rod-Height Selector	1	14	501703	Washer, Flat 6 x 14 x 1.2	6
5	581729	*Knob-Height Adjust (MSV)	1	15	503794	Screw, Set M6x40 RH Side	3
6	580091	Bush- Pivot, Rear Axle	2	16	501815	Screw, Set M6x35 LH Side	3
7	503301	Washer, Flat 1/2 x 3/4 x 18g	6	17	501606	Washer, Flat 8 x 19 x 1.6	2
8	579427	Dust Cover LH	1	18	503831	Nut, M8 Nyloc 6 thick	2
9	579426	Dust Cover LH/RH	1	19	579207	Hub Cap, 220mm MSV SP Silver	2
10	569180	Gear Driving - 45 Teeth	2				
11	569479	Spacer, Gear Driving	1				

Not Illustrated

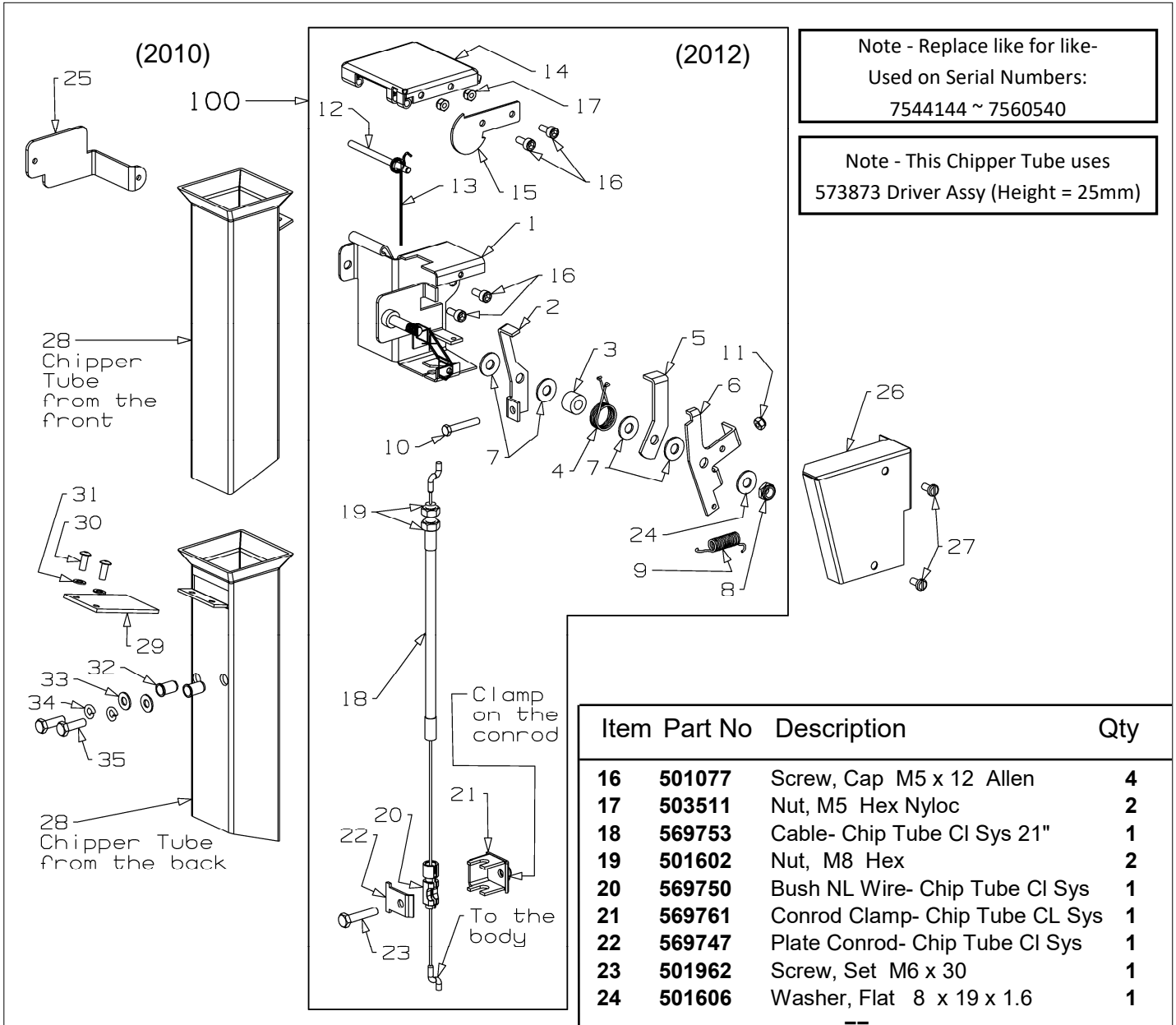
503054	Tie- Nylon Cable, Black	6	580778	Stop- Rope	1
569268	Certificate of Conformity	1	581208	Decal, Height Gen/Combo	1
569324	Owner Manual, Masport	1	Below used on Mowers from Serial Number 7544144		
571100	Decal, "Power Drive"	1	567081	Decal, Danger Chipper Tube	1
573053	Decal, HSG S21 800AL SP	1	567243	Decal, Chip- Hanging Card	1
573198	Decal, HSG "Self Propelled"	1	567250	Instruction Sheet- Chip Closer	1
579413	Decal, Flap- Smart Chute	1			

When ordering spares: PLEASE QUOTE PART NUMBER & Description, NOT illustrated number. Item Qty = 1 per part unless stated differently. **BOLD TEXT** = Assemblies. Part No's starting with * = items included in the assemblies & may not be available as a spares item. Determine the left hand or right hand sides by standing in the operating position (standing at the handle).



Item	Part No	Description	Qty	Item	Part No	Description	Qty
1	573092	Gear Box, Variable Speed 540	1	(Items 31 ~ 41 Introduced from S/N 7416429)			
1a	567525	*Spring-Clutch, V/Speed 540	1	30	19/21" SPV Assembly		
1b	567524	*Pulley-Gearbox, V/Speed 540	1	31	569155	Plate Carrier, 19/21 SPV ALI M8	1
2	581092	Pawl, Pinion 950 SP	2	32	569340	Stud- Idler Pulley, M8 x 40.0 ZP	1
3	503759	Circlip, 12 EXT DIN 471	4	33	569351	Spacer-Top, SPV	1
4	501213	Bearing, 12 x 32 x 10 3201 2RS	2	34	503901	Bearing Ball 12 x 28 x 8	2
5	581093	Cap, Pinion 950 SP	2	35	573382	Pulley- Flat, Idler 19" SPV ZP	1
6	569178	Pinion, LH 12 Teeth	1	36	569352	Spacer- Bottom SPV	1
6a	569179	Pinion, RH 12 Teeth	1	37	501606	Washer, Flat 8 x 19 x 1.6	1
7	503102	Washer, Flat 12 x 20 x 0.4	2	38	503831	Nut, M8 Hex Nyloc x 6mm thick	2
8	583563	Sleeve, Rear Axle MSV SP	1	39	569135	Spacer- Plate, SPV	1
9	573779	Belt- V No 6738 3L-965 Gates	1	40	573383	Pulley, V Idler 19" SPV	1
10	573394	Mount, Gearbox 21" SPV	1	41	569322	Stud- Idler Pulley M8 x 29.5	1
11	503955	Screw, Set M10 x 12	1				
12	501702	Screw, Set M6 x 16 Hex	1				
13	501703	Washer, Flat 6 x 14 x 1.2	1				
14	503973	Nut, M6 Nyloc Flange	1				
17	573554	Pulley- Eng, 25b x 68d x 28.5h	1				
18	503386	Screw, Grub M8 x 8	1				
19	503363	Key-W/Ruff 5/8 x 3/16 x 1/4	1				
20	569552	Spacer- Pulley, Eng 25 x 42 x 2	2				

When ordering spares: PLEASE QUOTE PART NUMBER & Description, NOT illustrated number. Item Qty = 1 per part unless stated differently. **BOLD TEXT** = Assemblies. Part No's starting with * = items included in the assemblies & may not be available as a spares item. Determine the left hand or right hand sides by standing in the operating position (standing at the handle).



Note - Replace like for like-
Used on Serial Numbers:
7544144 ~ 7560540

Note - This Chipper Tube uses
573873 Driver Assy (Height = 25mm)

Item	Part No	Description	Qty
100	967035	Chip Tube- Assembly CL SY GS (Includes Items 1 ~ 24)	1
1	567020	Chassis Assy- Chip Tube CI Sys	1
2	567027	Latch Arm- Chip Tube CI Sys	1
3	567017	Spacer- Latch Arm GS 8.2x16x10	1
4	569766	Spring Fix- Chip Tube CL Sys	1
5	567019	Lever Stop- Chip TB CI Sys GS	1
6	569754	Lever Key- Chip Tube CI Sys	1
7	567181	Washer, Flat 8 x 16 x 0.6 SS	4
8	503831	Nut, M8 Hex Nyloc x 6mm thick	1
9	569756	Spring Return- Chip Tube CI Sys	1
10	567222	Bolt, Hex M5 x 30 8.8	1
11	503511	Nut, M5 Hex Nyloc	1
12	569764	Pin Hinge- Chip Tube CI Sys	1
13	569755	Spring Flap- Chip Tube CI Sys	1
14	569760	Lid- Chip Tube Closing System	1
15	567033	Cam- Chip Tube Closing System	1

Item	Part No	Description	Qty
16	501077	Screw, Cap M5 x 12 Allen	4
17	503511	Nut, M5 Hex Nyloc	2
18	569753	Cable- Chip Tube CI Sys 21"	1
19	501602	Nut, M8 Hex	2
20	569750	Bush NL Wire- Chip Tube CI Sys	1
21	569761	Conrod Clamp- Chip Tube CL Sys	1
22	569747	Plate Conrod- Chip Tube CI Sys	1
23	501962	Screw, Set M6 x 30	1
24	501606	Washer, Flat 8 x 19 x 1.6	1
==			
25	569751	Bracket Clamp- Chip Tube CI Sys	1
26	569752	Cover- Chip Tube CI Sys	1
27	501857	Screw, Pan M5 x 10 Poz	2
28	967110	Tube- Feed Intake, 275mm TTNM	1
29	581672	Flap- Insertion, Rubber	1
30	503423	Rivet- Pop 4.8 x 6.4 73SS6-4	2
31	501330	Washer, Flat 5 x 10 x 1.0	2
32	501040	Nut M6 Nutsert 9658-0619	2
33	501703	Washer, Flat 6 x 14 x 1.2	2
34	500201	Washer, Spg 6	2
35	501601	Screw, Set M6 x 20 HT 8.8	2

NOT ILLUSTRATED			
	567091	Saddle- Cable Chipper Closer	1
	503489	Screw, Set M5 x 16 Tap/C HWF	1
	582374	Plunger- Intake Tube Plastic, Blk	1

When ordering spares: PLEASE QUOTE PART NUMBER & Description, NOT illustrated number. Item Qty = 1 per part unless stated differently. **BOLD TEXT** = Assemblies. Part No's starting with * = items included in the assemblies & may not be available as a spares item. Determine the left hand or right hand sides by standing in the operating position (standing at the handle).